

CHLORINE INSTITUTE

EMERGENCY KIT "B"

FOR ONE TON CHLORINE CONTAINERS



The Chlorine Institute Emergency Kit "B" is manufactured to the design specifications of the Chlorine Institute. The Emergency Kit "B" contains devices to stop leaks at the valves, fusible plugs, and in the side wall of chlorine one ton containers which conform to specification DOT 106A500X. Two instruction booklets explaining the application of each device are included. An instructional video for Kit B is also available.

Emergency Kit "B" Features Include:

Device #4: A capping device designed to contain leaks in and around ton container fusible plugs.

Device #12: Designed to contain leaks in and around the ton container valves.

Device #9: A patching device designed for sealing leaks in the ton container side wall.

Kit B also includes a variety of hand tools, inspection seals and additional sealing devices. All items are labeled with a part number, color coded yellow and stored inside a durable polyethylene tool box.

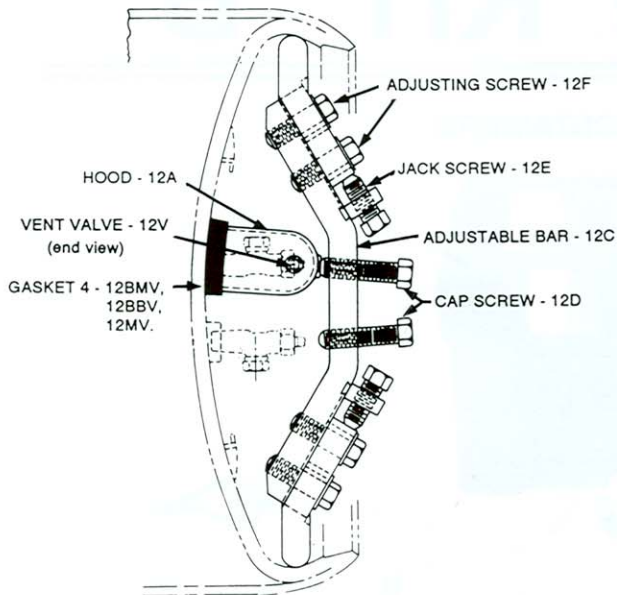
Manufactured to Chlorine Institute Specifications

CHEMTECH INTERNATIONAL INC.

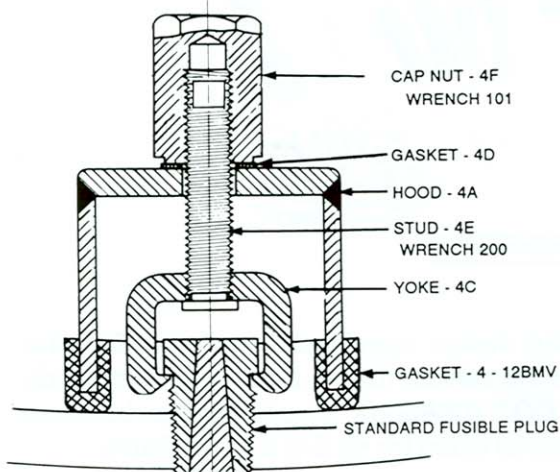
P.O. BOX 951
MEDIA, PA 19063, U.S.A.
TEL. 610-566-7177 FAX. 610-566-9198
www.chemtech-usa.com

CHLORINE INSTITUTE EMERGENCY KIT "B" Applications And Parts List

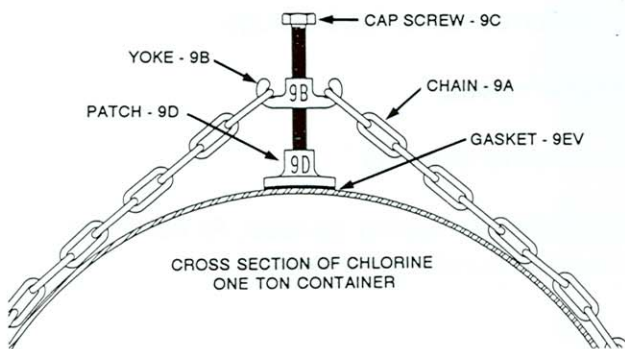
Emergency Device No. 12



Emergency Device No. 4



Emergency Device No. 9



Part Number	Description	Quantity Per Kit
4A	Hood Assembly	1
4C	Yoke	1
4D	Gasket, Garlock	3
4E	Stud	1
4F	Cap Nut	1
4G	Gasket, Garlock	5
4GG	Gasket, Garlock 1" x 3" x 1/16"	5
9A	Chain	1
9B	Yoke	1
9C	Cap Screw	1
9D	Steel Patch	1
9EV	Gasket, molded from Viton [®] , 3" sq. x 1/8"	2
12A	Hood Assembly with (12V) Vent Valve	1
4-12BMV	Gasket, molded from Viton [®] , 4" OD x 2-5/8" ID x 1/4"	2
12BBV	Gasket, molded from Viton [®] , 5" OD x 2" ID x 1/2" Th.	1
12C	Bar Assembly	1
12MV	Gasket, molded from Viton [®] , 5-1/4" OD x 2-1/4" ID x 3/4"	1
101	Wrench, straight open end, 1-1/4" x 12"	1
104	Wrench, socket, 1-1/4" hex	1
104A&C	Wrench extension, 1" sq. drive x 9" with adaptor	1
104B	Wrench bar, 1" dia. x 20"	1
106	Wrench, crowfoot special, 1-5/32" x 11"	1
200B	Wrench, 3/8" sq. box & 1-1/4" open end x 7-1/4"	1
B-1	Drift Pin, 5/32" x 1/2" x 6"	2
B-2	Drift Pin, 7/8" x 1-1/4" x 8"	2
B-3	Drift Pin, 1-1/16" x 1-7/16" x 8"	2
B-4	Ring, vent valve packing, 7/8" OD x 15/32" ID x 1/4" sq.	5
B-5	Paint Scraper, 1-1/4" blade	1
B-6	Hammer, Machinist 3 lb.	1
B-7	Kit Box Seals	15
B-8	Gasket Sack	1
B-9	Valve Yoke	1
B-10	Valve Adapter (820-hose)	1
B-11	Gasket Garlock 3000, 15/16" OD x 9/16" ID 1/16"	5
B-12	Small Gasket Plastic Storage Box	1
153	Tool Roll	1
151B	Kit Box, 35" x 13-3/4" x 14-1/4"	1
-	Instruction Booklet	2
-	Chlorine Manual	1
-	Parts List	1

*Note: Emergency Kit B weighs 113 lbs.

Viton is a registered trademark of DuPont Dow Elastomers L.L.C.

Authorized, trained personnel equipped with suitable respiratory equipment should investigate chlorine leaks promptly. All other persons should be restricted from the affected area. Breathing apparatus or other personal protective equipment are not included in the kits, but must be used when investigating and correcting chlorine leaks and are available from Indian Springs Specialty Products Inc.

CHEMTECH INTERNATIONAL INC.

P.O. BOX 951

MEDIA, PA 19063, U.S.A.

TEL. 610-566-7177 FAX. 610-566-9198

www.chemtech.usa.com